

OEI[®] Memo

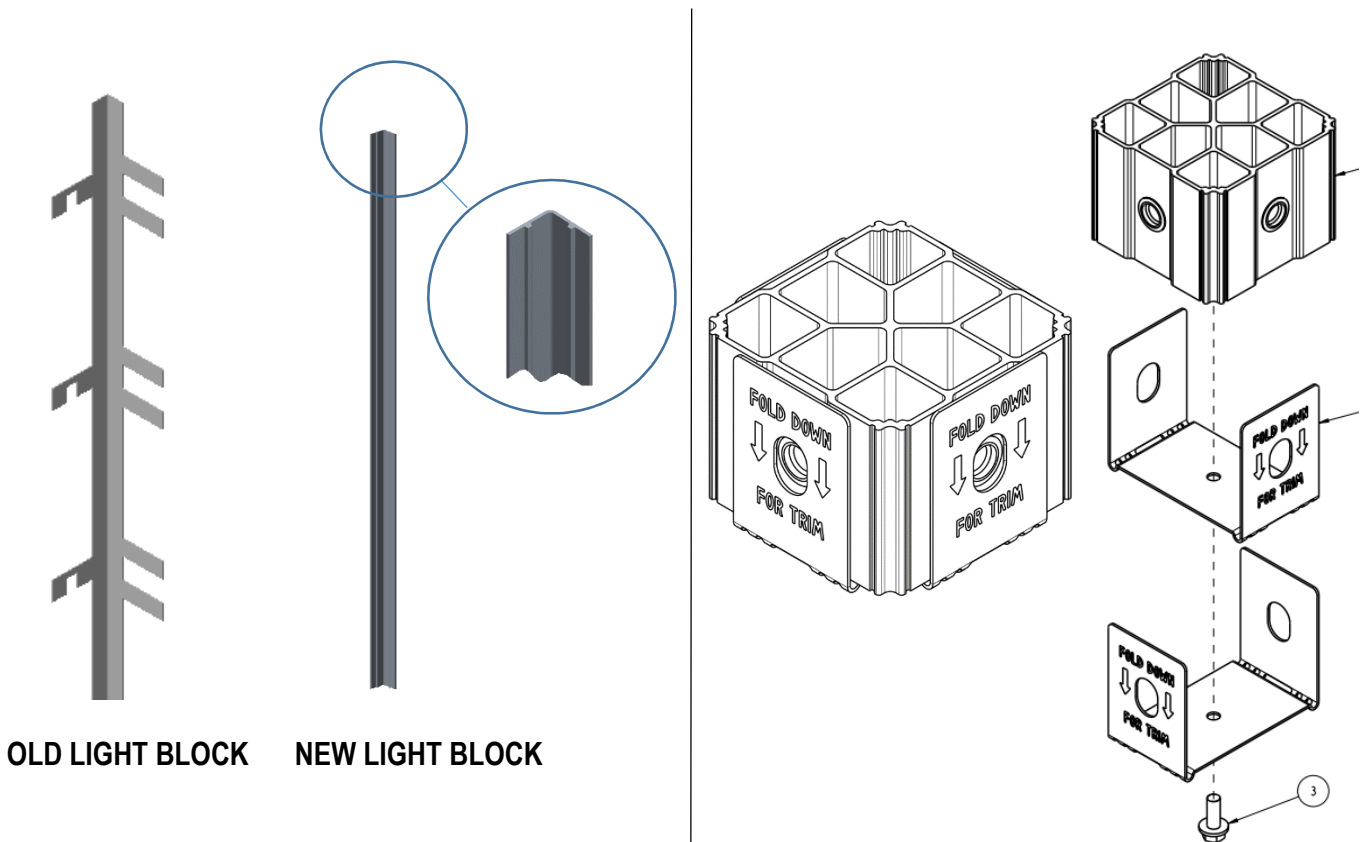
To: OEI State Sales, OEI Production, OEI Engineering, OEI Customer Service

From: Weston Schilawski
OEI Mfg. Engineer

Date: 11.18.15

RE: Legion/Unite Intersection Condition Changes

Effective with Legion/Unite orders shipping on or after December 1, 2015, 90 and 180 degree intersections feature a design change to simplify assembly and reduce related assembly errors. Redesigned intersections replace the current steel light block/spacer with formed galvanized steel plates that attach to all connector blocks. Each connector block becomes an assembly with spacer plates covering all four faces that are either left in position when attaching a panel frame, or bent down when attaching trim. The new light block is a rigid plastic strip that snaps to each connector block. Images of the old and new light blocks are below for reference along with the new connector block assembly.



This change affects the intersection conditions listed below. Pricing and specifying tools are unaffected, and the Planning Guide and Assembly Instructions will be updated to reflect the change.

U2W90: ASSEMBLY, 2 WAY 90 INTERSECTION

U2W901W: ASSEMBLY, 2 WAY 90 HEIGHT CHANGE INTERSECTION W/ DEAD END TRIM

U3W90: ASSEMBLY, 3 WAY 90 INTERSECTION

U3W901W: ASSEMBLY, 3 WAY 90 HEIGHT CHANGE INTERSECTION W/ DEAD END TRIM

U3W902W: ASSEMBLY, 2 WAY 90 HEIGHT CHANGE INTERSECTION W/ CORNER TRIM

U3W90II: ASSEMBLY, 3 WAY 90 IN-LINE HEIGHT CHANGE INTERSECTION

U4W90: ASSEMBLY, 4 WAY 90 INTERSECTION

U4W901W: ASSEMBLY, 4 WAY 90 HEIGHT CHANGE INTERSECTION W/ DEAD END TRIM

U4W902W: ASSEMBLY, 4 WAY 90 HEIGHT CHANGE INTERSECTION W/ CORNER TRIM

U4W903W: ASSEMBLY, 4 WAY 90 HEIGHT CHANGE INTERSECTION W/ 3 WAY TRIM

U4W90II: ASSEMBLY, 4 WAY 90 IN-LINE HEIGHT CHANGE INTERSECTION

U2W1801W: ASSEMBLY, 180 2 WAY HEIGHT CHANGE INTERSECTION W/ DEAD END TRIM

U2W180II: ASSEMBLY, 180 2 WAY IN-LINE INTERSECTION

This change does not affect 120 degree intersections, which will continue to use the metal lightblock and assembly method.

Please let me know if you have any questions or concerns.

Thank you,

Weston Schilawski
weston.schilawski@oei-inc.com
920.468.2538