

# CHANGE NOTICE

---



P.O. Box 8400  
Green Bay, WI 54308-8400  
(920) 468-2165

**Change Notice No.** 111

**Implemented By:** OEI

**Notification By:** Scott Vissers

**Date:** 1/19/10

**Component Product Title:** Contract Tables

**Effective:** 1/19/10

**ECN:** 11887

**Description of Change:**

1. On all contract tables that are nominally 42” and larger, if grommets are selected, the location of the grommets will be moved to the centerline (lengthwise) of the table as a standard. (See attached drawing TD-5S)

**Reason for Change:** This change was made based on the assumption that tables 42” and deeper are always a two-sided table and therefore would be best to have the grommets located on the centerline (lengthwise) of the top and not to one edge.

**Action Required:** Update current drawings and tool paths with the updated drawing that is attached.

**Customer Notification:** All Customers

Enclosure

**FIXED BASE**

NOMINAL SIZE	A	B	C	D
16" X 48"	17.88	47.88	3.50	5.00
18" X 60"	17.88	59.88	3.50	5.00
18" X 72"	17.88	71.88	5.00	5.00
18" X 84"	17.88	83.88	5.00	5.00
18" X 96"	17.88	95.88	5.00	5.00
24" X 36"	23.88	35.88	5.00	5.00
24" X 48"	23.88	47.88	6.50	5.00
24" X 60"	23.88	59.88	6.50	5.00
24" X 72"	23.88	71.88	8.00	5.00
24" X 84"	23.88	83.88	8.00	5.00
24" X 96"	23.88	95.88	8.00	5.00
30" X 30"	29.88	29.88	8.00	4.00
30" X 48"	29.88	47.88	8.00	5.00
30" X 60"	29.88	59.88	8.00	5.00
30" X 72"	29.88	71.88	8.00	5.00
30" X 84"	29.88	83.88	8.00	5.00
30" X 96"	29.88	95.88	8.00	5.00
36" X 36"	35.88	35.88	8.00	5.00
36" X 48"	35.88	47.88	8.00	5.00
36" X 60"	35.88	59.88	8.00	5.00
36" X 72"	35.88	71.88	8.00	5.00
36" X 84"	35.88	83.88	8.00	5.00
36" X 96"	35.88	95.88	8.00	5.00
42" X 42"	41.88	41.88	N/A	N/A
42" X 60"	41.88	59.88	N/A	N/A
42" X 72"	41.88	71.88	N/A	N/A
42" X 84"	41.88	83.88	N/A	N/A
42" X 96"	41.88	95.88	N/A	N/A
48" X 48"	47.88	47.88	N/A	N/A
48" X 60"	47.88	59.88	N/A	N/A
48" X 72"	47.88	71.88	N/A	N/A
48" X 84"	47.88	83.88	N/A	N/A
48" X 96"	47.88	95.88	N/A	N/A
54" X 54"	53.88	53.88	N/A	N/A
54" X 60"	53.88	59.88	N/A	N/A
54" X 66"	53.88	65.88	N/A	N/A

**CANTILEVERED BASE**

NOMINAL SIZE	A	B	C	D
16" X 48"	17.88	47.88	3.50	5.00
18" X 60"	17.88	59.88	3.50	5.00
18" X 72"	17.88	71.88	5.00	5.00
18" X 84"	17.88	83.88	5.00	5.00
18" X 96"	17.88	95.88	5.00	5.00
24" X 36"	23.88	35.88	5.00	5.00
24" X 48"	23.88	47.88	6.50	5.00
24" X 60"	23.88	59.88	6.50	5.00
24" X 72"	23.88	71.88	8.00	5.00
24" X 84"	23.88	83.88	8.00	5.00
24" X 96"	23.88	95.88	8.00	5.00
30" X 30"	29.88	29.88	8.00	4.00
30" X 48"	29.88	47.88	8.00	5.00
30" X 60"	29.88	59.88	8.00	5.00
30" X 72"	29.88	71.88	8.00	5.00
30" X 84"	29.88	83.88	8.00	5.00
30" X 96"	29.88	95.88	8.00	5.00
36" X 36"	35.88	35.88	8.00	5.00
36" X 48"	35.88	47.88	8.00	5.00
36" X 60"	35.88	59.88	8.00	5.00
36" X 72"	35.88	71.88	8.00	5.00
36" X 84"	35.88	83.88	8.00	5.00
36" X 96"	35.88	95.88	8.00	5.00
42" X 42"	41.88	41.88	N/A	N/A
42" X 60"	41.88	59.88	N/A	N/A
42" X 72"	41.88	71.88	N/A	N/A
42" X 84"	41.88	83.88	N/A	N/A
42" X 96"	41.88	95.88	N/A	N/A
48" X 48"	47.88	47.88	N/A	N/A
48" X 60"	47.88	59.88	N/A	N/A
48" X 72"	47.88	71.88	N/A	N/A
48" X 84"	47.88	83.88	N/A	N/A
48" X 96"	47.88	95.88	N/A	N/A
54" X 54"	53.88	53.88	N/A	N/A
54" X 60"	53.88	59.88	N/A	N/A
54" X 66"	53.88	65.88	N/A	N/A

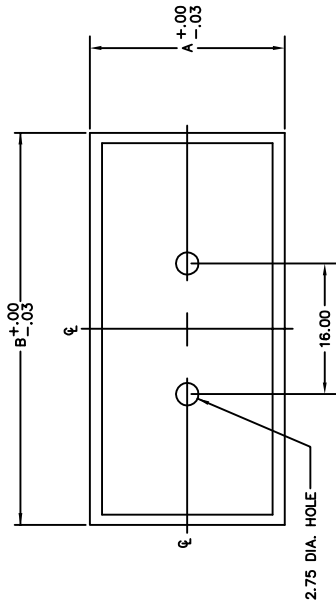
**FOLDING BASE**

NOMINAL SIZE	A	B	C	D
16" X 48"	17.88	47.88	6.00	9.00
18" X 60"	17.88	59.88	6.00	9.00
18" X 72"	17.88	71.88	5.00	5.00
18" X 84"	17.88	83.88	5.00	5.00
18" X 96"	17.88	95.88	5.00	5.00
24" X 36"	23.88	35.88	5.00	5.00
24" X 48"	23.88	47.88	6.50	5.00
24" X 60"	23.88	59.88	6.50	5.00
24" X 72"	23.88	71.88	8.00	5.00
24" X 84"	23.88	83.88	8.00	5.00
24" X 96"	23.88	95.88	8.00	5.00
30" X 30"	29.88	29.88	8.00	4.00
30" X 48"	29.88	47.88	8.00	5.00
30" X 60"	29.88	59.88	8.00	5.00
30" X 72"	29.88	71.88	8.00	5.00
30" X 84"	29.88	83.88	8.00	5.00
30" X 96"	29.88	95.88	8.00	5.00
36" X 36"	35.88	35.88	8.00	5.00
36" X 48"	35.88	47.88	8.00	5.00
36" X 60"	35.88	59.88	8.00	5.00
36" X 72"	35.88	71.88	8.00	5.00
36" X 84"	35.88	83.88	8.00	5.00
36" X 96"	35.88	95.88	8.00	5.00
42" X 42"	41.88	41.88	N/A	N/A
42" X 60"	41.88	59.88	N/A	N/A
42" X 72"	41.88	71.88	N/A	N/A
42" X 84"	41.88	83.88	N/A	N/A
42" X 96"	41.88	95.88	N/A	N/A
48" X 48"	47.88	47.88	N/A	N/A
48" X 60"	47.88	59.88	N/A	N/A
48" X 72"	47.88	71.88	N/A	N/A
48" X 84"	47.88	83.88	N/A	N/A
48" X 96"	47.88	95.88	N/A	N/A
54" X 54"	53.88	53.88	N/A	N/A
54" X 60"	53.88	59.88	N/A	N/A
54" X 66"	53.88	65.88	N/A	N/A

**CONTROL STAMP**

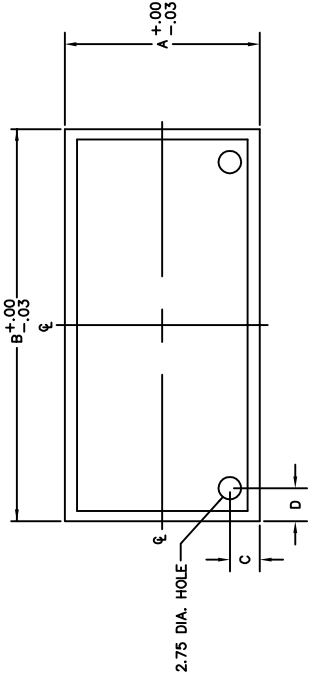
DRAWING REVISIONS			
Rev.	By	Date	Description
0	JRJ	10-23-08	RELEASED TO PRODUCTION
1	EDH	11/07/08	DELETE "LIGHTWEIGHT FOLDING BASE" NOTE
2	EDH	12/10/08	ADDED GRAPHIC FOR 42" DEEP AND LARGER TABLES

**2 BOTTOM VIEW FOR 42" DEEP AND LARGER TABLES**



NOTE: 16" CENTER-TO-CENTER HOLE DIMENSION REMAINS CONSTANT ON ALL TABLE LENGTHS. HOLES ARE TO BE CENTERED ALONG THE HORIZONTAL CENTERLINE.

**BOTTOM VIEW**



**FLIP BASE**

NOMINAL SIZE	A	B	C	D
16" X 48"	17.88	47.88	3.50	5.00
18" X 60"	17.88	59.88	3.50	5.00
18" X 72"	17.88	71.88	5.00	5.00
18" X 84"	17.88	83.88	5.00	5.00
18" X 96"	17.88	95.88	5.00	5.00
24" X 36"	23.88	35.88	5.00	5.00
24" X 48"	23.88	47.88	6.50	5.00
24" X 60"	23.88	59.88	6.50	5.00
24" X 72"	23.88	71.88	8.00	5.00
24" X 84"	23.88	83.88	8.00	5.00
24" X 96"	23.88	95.88	8.00	5.00
30" X 30"	29.88	29.88	8.00	4.00
30" X 48"	29.88	47.88	8.00	5.00
30" X 60"	29.88	59.88	8.00	5.00
30" X 72"	29.88	71.88	8.00	5.00
30" X 84"	29.88	83.88	8.00	5.00
30" X 96"	29.88	95.88	8.00	5.00
36" X 36"	35.88	35.88	8.00	5.00
36" X 48"	35.88	47.88	8.00	5.00
36" X 60"	35.88	59.88	8.00	5.00
36" X 72"	35.88	71.88	8.00	5.00
36" X 84"	35.88	83.88	8.00	5.00
36" X 96"	35.88	95.88	8.00	5.00

- NOTE:
- FOR EDGE DETAIL SEE DRAWING 50-1000
  - ALL HOLES ARE 1/8" X 1/2" DEEP UNLESS OTHERWISE SPECIFIED
  - ALL DIMENSIONS SHOWN AFTER EDGE APPLICATION
  - DRAWING IS SHOWN FROM BACKER SIDE
  - PART IS SYMMETRIC ABOUT  $\phi$

**DRILLING DIAGRAM WORKSURFACE GROMMET**

1330 Bellevue Street P.O. Box 8100 Seattle, WA 98108 54308-8100		<p>NOTICE: This drawing is the property of Wenger International and is not to be reproduced, stored in a retrieval system, or transmitted in any form or by any means, electronic, mechanical, photocopying, recording, or by any information storage and retrieval system, without the prior written permission of Wenger International.</p>	
TOLERANCES			
DECIMAL PLACES	RAK	NTS	8-APR-00
.X			
.XX			
.XXX			
ANGLE			
Form by: _____ Checked by: _____ Date: _____		Scale: _____ Date: _____ Drawing No.: TD-55 Rev: 2	