

# Memo

**To:** OEI State Sales, OEI Engineering, OEI Production

**From:** Weston Schilawski  
OEI Mfg. Engineer

**Date:** 9/7/16

**RE:** Develop W-Base, Electrically Adjustable (DWHF)

The Electrically Adjustable Develop W-Base is now available in the current table offering. Top sizes include 22", 24", 30", 36" widths and 48", 54", 60", 66", and 72" lengths. A 24"x36" and 30"x48" 120 Degree Corner option is also available.

Specifications are as follows:

## **General**

The table shall consist of two adjustable height T legs (centered column on a horizontal foot) attached to a worksurface support that spans the two bases and supports a worksurface. The top of the worksurface shall adjust between 22.35" and 48.33" from the floor by means of electric controls that can be located at either end of the table. The leg moves up or down at a speed of 50mm/sec (2"/sec). Maximum amps per table is 4 amps.

## **Base**

The base shall consist of a column assembly and foot both finished with baked on 30 sheen powder coat paint. The column assembly shall consist of an outer member, an intermediate member and an inner member. The outer member shall be 2¾" square 14-gauge steel tubing with a ¼" steel plate welded on the bottom end. The intermediate member shall be 2½" square 14-gauge steel tubing. The inner member shall be 2¼" square 14-gauge steel tubing with a ¼" steel plate welded on the top end. The foot shall consist of two formed and welded 11-gauge steel components. The foot shall be attached to the column with 8mm bolts. Two 1½" diameter nylon base leveling glides shall be threaded into the foot.

## **Worksurface Support**

The worksurface support shall be formed 11-gauge steel support members with ¼" steel attachment plates. The worksurface support shall be attached to the column with 8mm bolts.

## **Model Numbers**

Example: DW2248HF/(G -or- R)/(S -or- D)/XX/IXX

- DW2248HF – Electrically adjustable base for 22x48 top
- G/R – Glides/Rolling Base
- S/D – Standard/Deluxe Switch
- XX – Base finish
- IXX – Inner column finish

**Colors**

Outer Column/Base/Feet – BL, WG, CO, GR, SX, CM, WS, ZM, CG, MG, MY, NE, PH, RK, SP, UB, ZL

Inner Column (non-abrasive) – Black, Silver, White



Non-abrasive white with standard CO Cottonwood and WS Wet Sand



Non-abrasive silver with standard SX Starlight Silver



Non-abrasive black with standard BL Black

**Options**

-Glides / Rolling Base

-Standard / Deluxe switch



Standard Switch



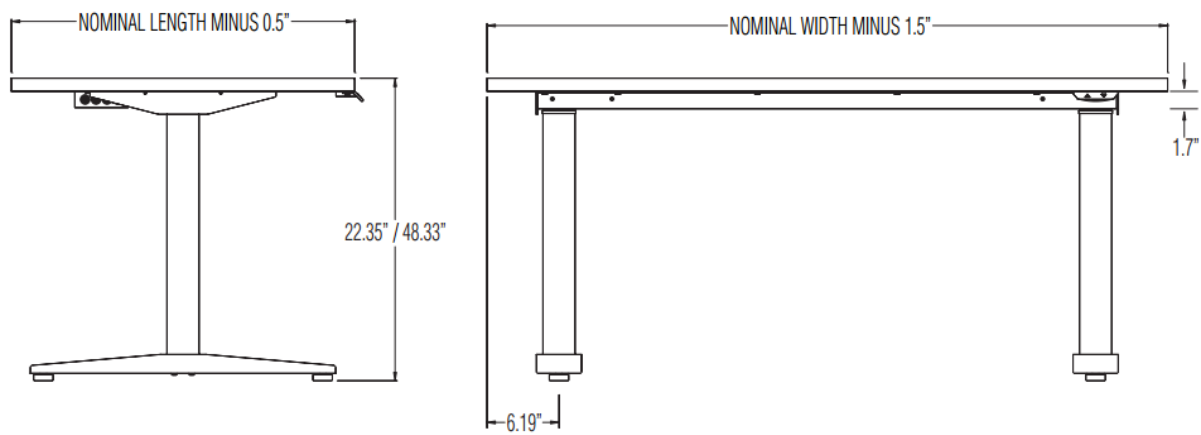
auxiliary control      position keys 1-4      programing key or "S" key      display      up key and down key

Deluxe Switch

**Photos:**



**Dimensions:**



The Develop Table Base Model Price List has been updated to include the W-Base Electrically Adjustable base offering. A parts chart, technical specifications, and assembly instructions are also included.

Please contact me with any questions or concerns.

Thank you,  
Weston Schilawski  
[weston.schilawski@oei-inc.com](mailto:weston.schilawski@oei-inc.com)  
920.468.2538