



Product Bulletin

To: OEI Space Planning, OEI Engineering, OEI Production

From: Eric Popp
OEI Manufacturing Engineer

Date: 9/6/2016

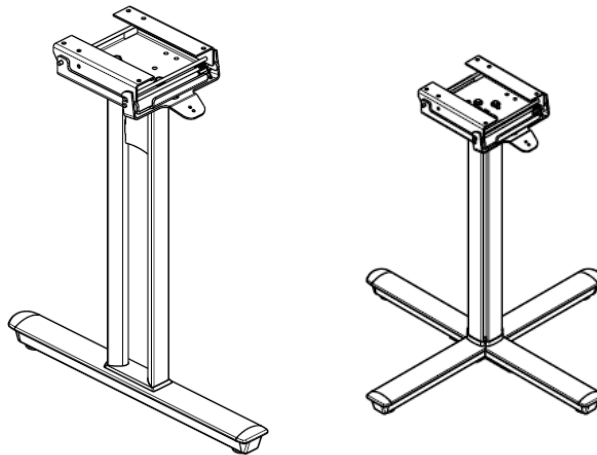
RE: Develop S-Base Flip Base Availability

The Develop S-Base (Synthesis) Flip-Top table base is now an option for this table line.

The new bases are:

VST16FP/XX
VST22FP/XX
VSX26FP/XX
VSX32FP/XX

T-16 Flip-Top Table Base
T-22 Flip-Top Table Base
X-26 Flip Top Table Base
X-32 Flip Top Table Base



All price lists have been updated to reflect this update.

Please contact me with any questions or concerns.

Thank you,

Eric Popp
eric.popp@oei-inc.com
920.406.3477