

MEMO



P.O. Box 8100
Green Bay, WI 54308-8100

To: OEI Engineering, OEI Customer Service, QBD, OEI Go Back Coordinators, OEI State Sales, Corporate Services and all state contacts for PowerWorks.

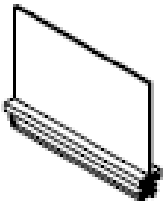
From: Mark Bushaw/OEI Engineering

Date: 6/06/2016

Re: Addition of glass divider

OEI is pleased to announce the addition of the glass divider to its BYO offering. This design is replacing the glass topper design which is a frameless glass attached to the top of the panel system. The glass topper design compressed the glass between the split top caps which restricted any adjustment. The design of the glass divider utilizes a special clamping block that allows for height adjustment to match up the glass tolerances and also the angle of the glass via adjustment screws. Assembly instructions are included with this memo.

Basic models will be ordered as a pass through item with the model code of PWGD. The glass height is available in 12" or 18" and widths are 24"- 60" in 6" increments. Glass options include clear (GLA) or satin etched 1 side (GLV). Due to the weight of the glass, special planning guidelines were created and are attached to this memo.

MODEL	MODEL NUMBER		
	Basic Model	Glass Option	Paint Color
 <p>Glass Divider</p> <ul style="list-style-type: none"> • Two piece top cap design spans the width of a single panel • 1/4" spacing between glass sections • 3/8" thick glass • Available in flat metal trim only 	PWGD1224	<input type="checkbox"/>	<input type="checkbox"/>
	PWGD1230	<input type="checkbox"/>	<input type="checkbox"/>
	PWGD1236	<input type="checkbox"/>	<input type="checkbox"/>
	PWGD1242	<input type="checkbox"/>	<input type="checkbox"/>
	PWGD1248	<input type="checkbox"/>	<input type="checkbox"/>
	PWGD1254	<input type="checkbox"/>	<input type="checkbox"/>
	PWGD1260	<input type="checkbox"/>	<input type="checkbox"/>
	PWGD1824	<input type="checkbox"/>	<input type="checkbox"/>
	PWGD1830	<input type="checkbox"/>	<input type="checkbox"/>
	PWGD1836	<input type="checkbox"/>	<input type="checkbox"/>
	PWGD1842	<input type="checkbox"/>	<input type="checkbox"/>
	PWGD1848	<input type="checkbox"/>	<input type="checkbox"/>
	PWGD1854	<input type="checkbox"/>	<input type="checkbox"/>
	PWGD1860	<input type="checkbox"/>	<input type="checkbox"/>

Please contact OEI Engineering with any questions or concerns.

Mark Bushaw
OEI Sr. Manufacturing Engineer
920.468.2629
mark.bushaw@oei-inc.com