

# OEI<sup>®</sup> Memo

**To:** OEI Customers, OEI Installation, OEI Sales, OEI Customer Service

**From:** Erik Rasmussen  
OEI Manufacturing Engineer

**Date:** 3.1.2016

**RE:** Genesis/T4 Electric Height Tables

Effective 2/17/16, Genesis/T4 Electric Height Adjustable tables will be switching to new controllers as inventory of the old controllers is depleted. The new controllers are completely interchangeable with the older version; the only thing changing is the controller itself and the screws for attaching the controllers to the worksurface. **NOTE: the new screws should not be used with old controllers.** The power cords, wires and switches are all staying the same. We have updated our worksurface drawings for the new mounting locations and will send them out to you shortly.

Old part numbers:

46.1578.DIGITAL (2-leg digital switch kit)

46.1578.KIT (2-leg standard switch kit)

46.1587.DIGITAL (3-leg digital switch kit)

46.1587.KIT (3-leg standard switch kit)

New part numbers:

46.9920.DIGITAL (2-leg digital switch kit)

46.9920.KIT (2-leg standard switch kit)

46.9921.DIGITAL (3-leg digital switch kit)

46.9921.KIT (3-leg standard switch kit)

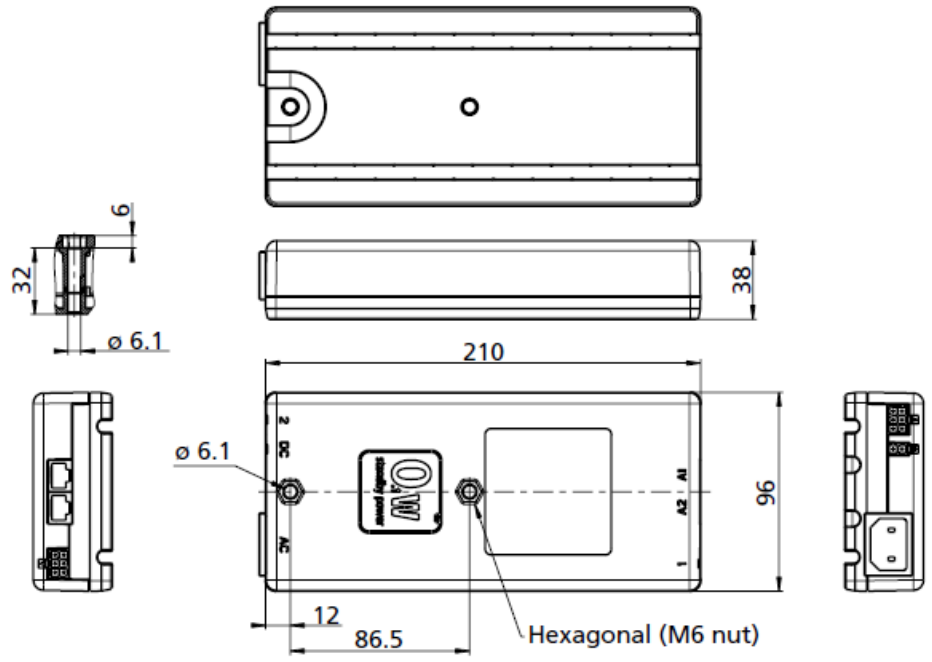


Current controller

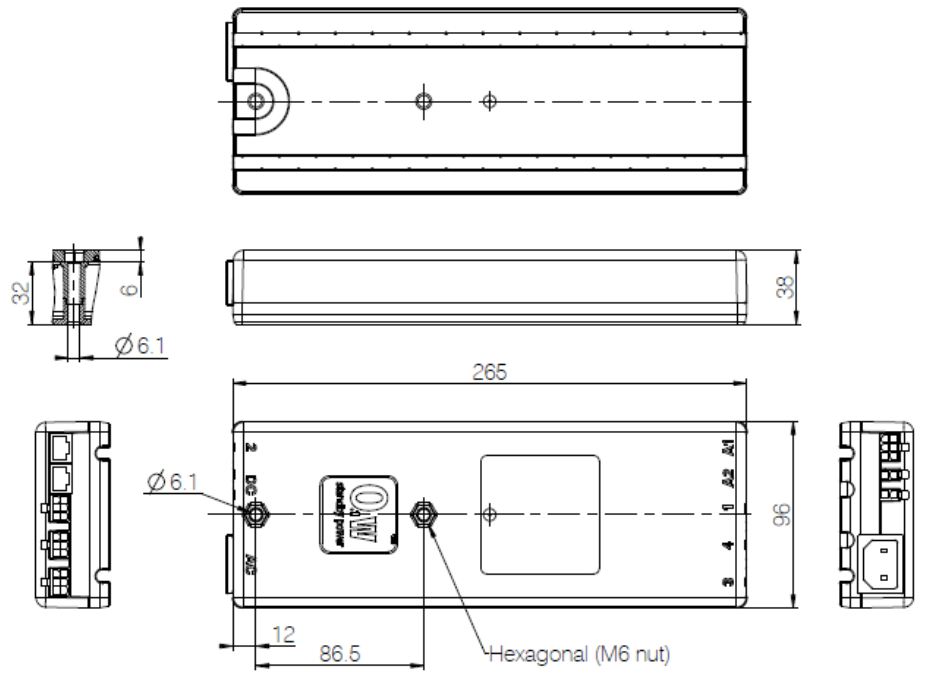
new 2-leg controller

new 3-leg controller

2 leg controller



3 leg controller



Thank you,

Erik Rasmussen  
[erik.rasmussen@oei-inc.com](mailto:erik.rasmussen@oei-inc.com)  
 920.406.3358