

OEI[®] Product Bulletin

To: OEI Production, OEI Engineering, OEI State Sales

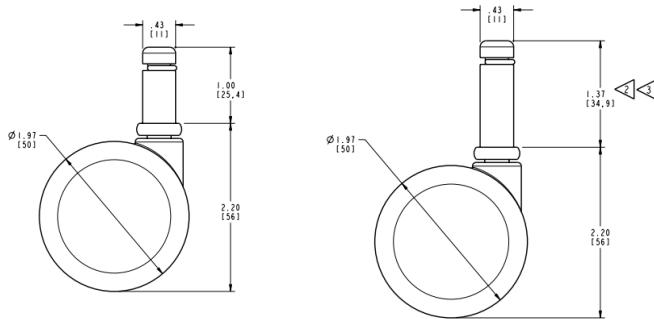
From: Aaron DeGroot - OEI Manufacturing Engineer

Date: 9-23-2020

RE: Rigger4 Caster Change

Rigger4 caster is changing from a 1" stem back to an older version 1-³/₈" stem.

| <u>Old Part #</u> | | <u>New Part #</u> |
|-------------------|---|-------------------------|
| 46.4113.BL.A | → | 46.4113.BL (Soft wheel) |
| 46.4116.BL.A | → | 46.4116.BL (Hard wheel) |



Customer inventory of 46.4113.BL.A/46.4116.BL.A can be used on current/future orders. Orders placed after 9/23 will include the new caster, 46.4113.BL/46.4116.BL, with longer stem.

Manufacturing – Make sure all 4 Casters have same part number and stem length

Please let me know if you have any questions.

Thank You,

Aaron DeGroot
OEI Manufacturing Engineer
(920) 468-2308
aaron.degroot@oei-inc.com