

OEI[®] Product Bulletin

To: OEI State Sales, OEI Engineering, OEI Production

From: Weston Schilawski
OEI Sr. Manufacturing Engineer

Date: 1/8/19

RE: Develop L-Base Line Extension

Effective 1/11/19, OEI will be adding the cantilevered base (C-Leg) style to the Develop L-Base offering. This base features an offset leg for ease of ingress and egress. The base will be available in the standard L-Base colors (black, silver, white) and have the option of adding casters. This new offering obtains the 26-52" height range and is available for all standard worksurface sizes (24-36" width x 48-72" length).

Sample model numbers and descriptions are shown below:

DEVELOP TABLE BASES MODEL PRICE LIST

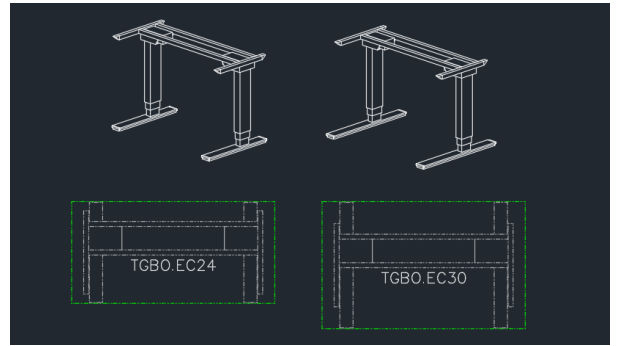
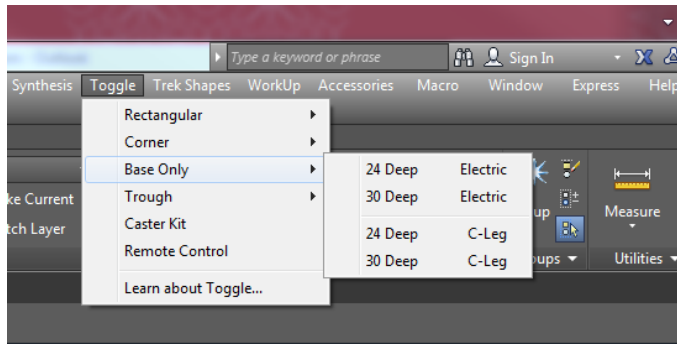
TABLE BASES - "L" (TOGGLE)

Model Number	Description
TG.REMOTE.LCD.6	Remote Control With Presets
TG.TROUGH.48.XX	48" Toggle Wire Trough (Black, White or Silver)
TG.TROUGH.60.XX	60" Toggle Wire Trough (Black, White or Silver)
TG.TROUGH.72.XX	72" Toggle Wire Trough (Black, White or Silver)
TGBO.EC24.XX	Toggle Electric Base Only C Leg 24" Foot
TGBO.EC30.XX	Toggle Electric Base Only C Leg 30" Foot
TGBO.EL24.XX	Toggle Electric Base Only (2 Motor) for Rect Table - 24" Depth
TGBO.EL30.XX	Toggle Electric Base Only (2 Motor) for Rect Table - 30" & 36" Depth
TGBO.FX24.XX	Toggle Fixed Base Only 24" Depth
TGBO.FX30.XX	Toggle Fixed Base Only 30" & 36" Depth
TGCA	Toggle Caster Kit Black

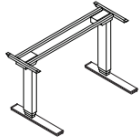

Product Images:



ECAD Specfication:



Product Offering Catalog:

		MODEL NUMBER		Approx. Packaged Weight
MODEL		Basic Model	Base Finish	
 <p>Rectangular Dual Motor Electric C-Leg - Base Only - 24" D</p> <ul style="list-style-type: none"> • For use with 24" deep surfaces, 48"-72" wide • Adjusts from 26"-52" with 1-1/4" top • Top (not included) should be undersized .25"-.75" to allow safe clearance in any work area • Maximum operating load is 264 lbs. (including weight of top) • 3-Stage base 	TGBO.EC24	<input type="checkbox"/>	85.0#	
	HRDPT			
 <p>Rectangular Dual Motor Electric C-Leg - Base Only - 30" D</p> <ul style="list-style-type: none"> • For use with 30" and 36" deep surfaces, 48"-72" wide • Adjusts from 26"-52" with 1-1/4" top • Top (not included) should be undersized .25"-.75" to allow safe clearance in any work area • Maximum operating load is 264 lbs. (including weight of top) • 3-Stage base 	TGBO.EC30	<input type="checkbox"/>	90.0#	
	HRDPT			

Please contact your Customer Account Coordinator for updated pricing.

Thank you,

Weston Schilawski
weston.schilawski@oei-inc.com
 (920) 468-2538